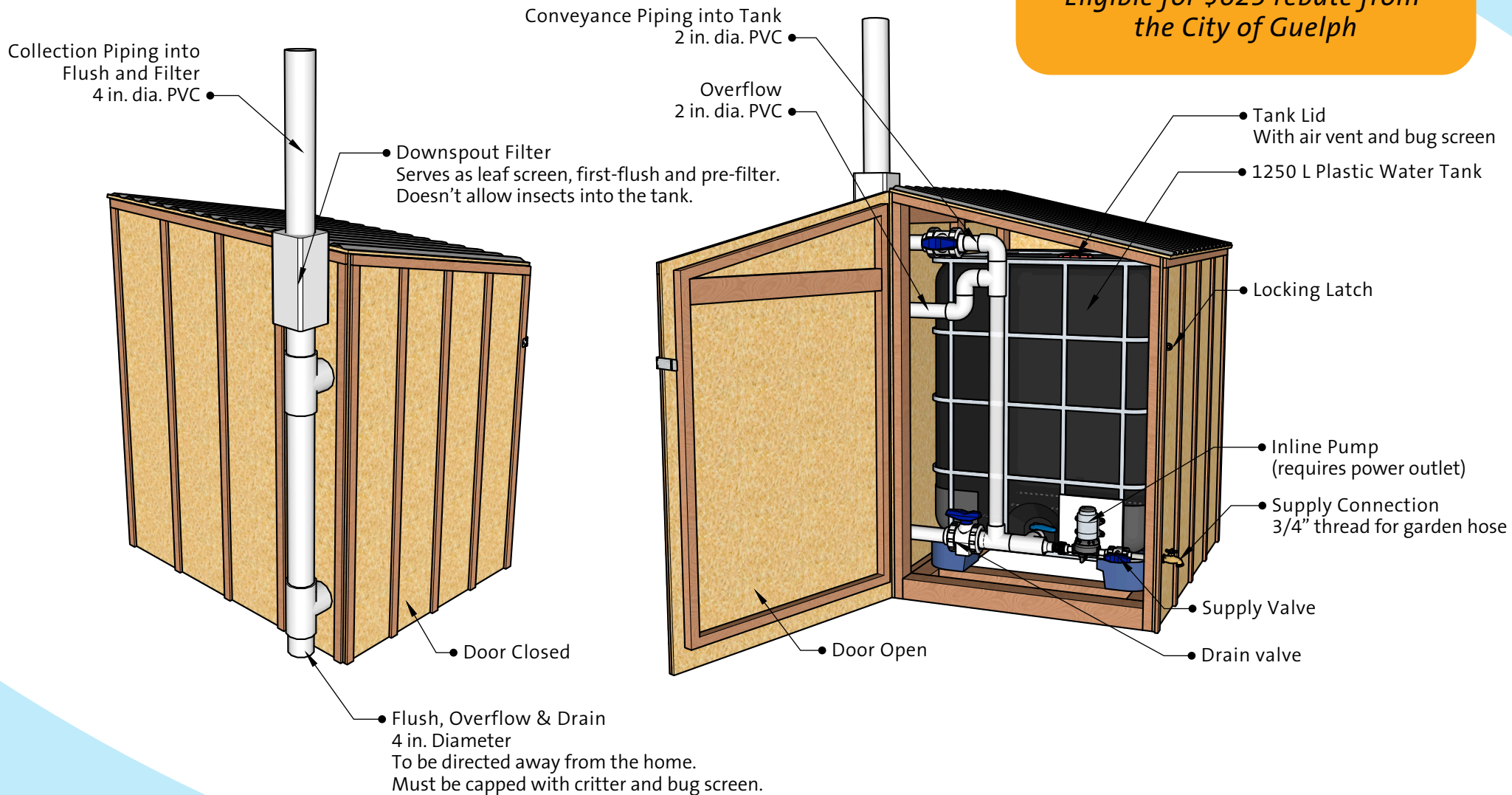


# RAINWATER ONE (RW1)

## 1250 Litre Seasonal Rainwater Harvesting Tank

Starts at \$2,499

Eligible for \$625 rebate from the City of Guelph



### FRAME & FINISH OPTIONS

Options for wooden frame include cedar and pressure treated lumber.  
Various options for roof and walls available.  
Can be finished with stain or paint as requested.





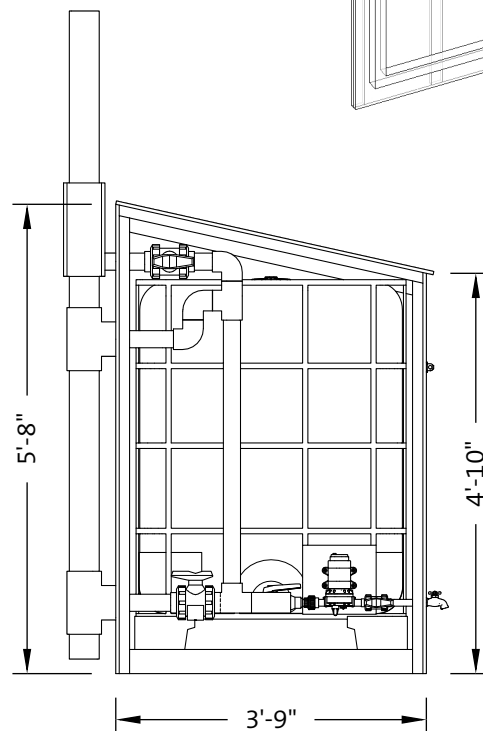
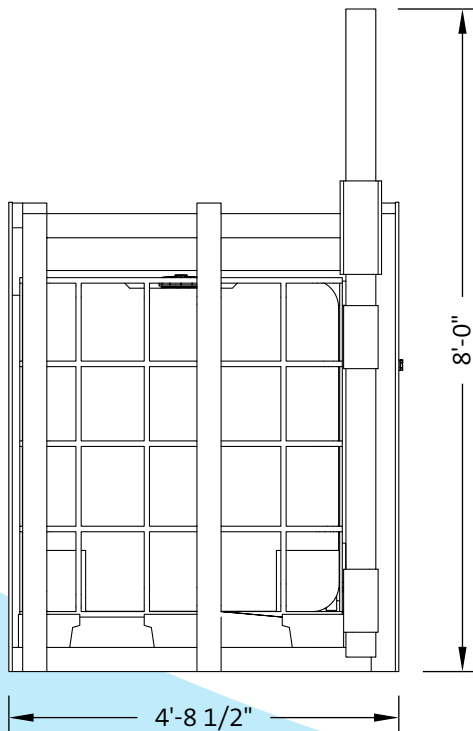
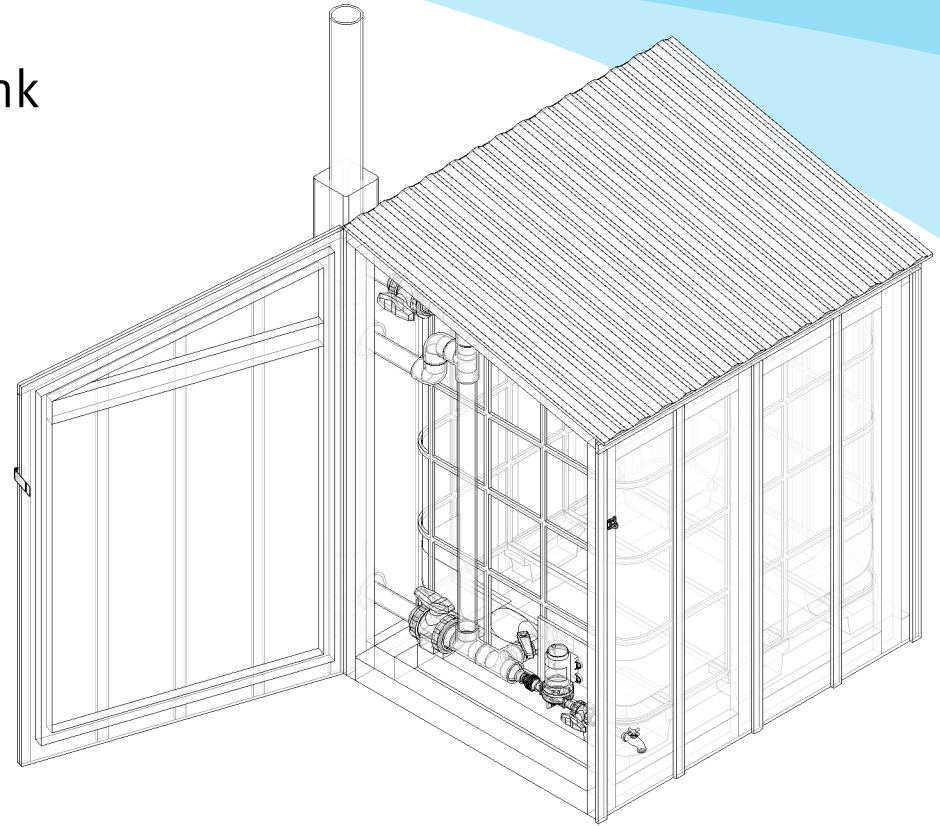
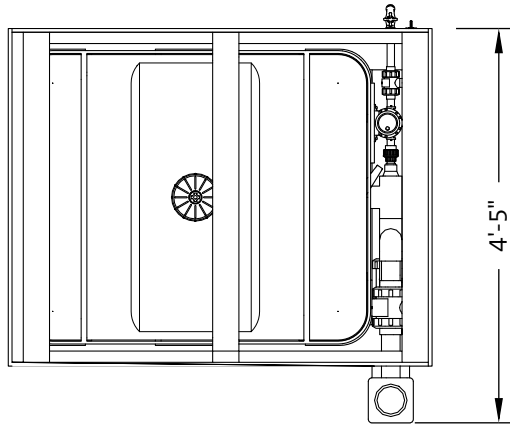
# RAINWATER ONE (RW1)

## 1250 Litre Seasonal Rainwater Harvesting Tank



# RAINWATER ONE (RW1)

## 1250 Litre Seasonal Rainwater Harvesting Tank



**Starts at \$2,499**

*Eligible for \$625 rebate from the City of Guelph*

